

Standard Equipment

Operator's compartment

- Storage compartments, pen holders and space for bottles, cans or tools integrated into cab interior
- LCD "comfort" display with keypad log-on, lift height indicator, speedometer, hourmeter, steer wheel position indicator, battery status and service codes
- Steering knob
- Regenerative electric braking
- Battery discharge indicator with lift cutout
- Key switch

Safety

- Automatic reduction in travel speed with platform raised LSC
- All traction and lift functions interlocked through foot switch and sensors
- Linde curve control for safe cornering
- Full body harness
- Metal Mesh Protection
- Pallet clamp
- Audible warning
- Warning light

Optional Equipment

Operators compartment

- Alternative cabin widths
- Fan
- Macrolon OHG Cover
- Toggle Switch

Safety

- Fixed or foldable arm guard
- Polycarbonate Protection
- Blue spot
- Cabin light
- Working light
- Lateral light
- Lift cut off
- Wet grip siped wheel

Ergonomic

- Height Adjustable Dashboard



Battery Order Picking Truck

CAPACITY 1360 kg

V15 **5215**

Safety

The V15 range truck guarantee the operator's safety via its outstanding visibility. The low cab step height increases safety, while activating the dead man switch. The LSC monitors driving, lifting and steering movements and reduces them automatically.

Performance

High performance describe the V15 range order picker. Picking height is nearly up to 11m. Two different driving and lifting systems can match the application precisely.

Comfort

The anti-vibration mat offers comfortable working. The wide variety of storage compartments and options can be

equipped to every kind of application. No matter lifting or lowering, the V15 range truck always stops the cabin gently during the stroke process.

Reliability

Thanks to easy maintenance, downtime is reduced and throughput is increased. The active cooling system ensures the highest availability even in extreme conditions.

Service

The unique modular system of the V15 ensures that each truck can be tailored to match the application precisely. The latest ergonomic standards allows the operator to maximise throughput.

Features

Modular concept

- Combination of different lift motors, drive motors, chassis, masts, batteries, cabins, etc.
- 36V for heavy duty applications and 24V variant for low to medium duty applications

Variety of applications

- Forks are mounted for use with walk-on pallets, protected by a pallet clamp, with the option of a fixed or foldable arm guard



High performance with intelligent systems

- Automatic adjustment of speed depending on lift height
- Sensitive and powerful hydraulics, proportional technology for lifting and lowering



Control concept

- Standard LCD display
- Multifunction joystick
- Simple and ergonomic controls for precise operation
- Simultaneous driving/lifting/lowering



Safety

- 2 independent braking systems: Regenerative electric braking & electric disk parking brake
- Emergency lowering is easily accessible in the aisle under the rear hood

Operators compartment

- Hidden deadman's pedal to avoid
- stumbling Practical storage compartment

Steering

- Electric steering with defined steering position
- Steer angle monitoring



Drive and lift

- The powerful and economical drive and lift units with low energy consumption and low wear
- All traction and lift functions interlocked through deadman's pedal

Subject to modification in the interests of progress, illustration and technical details not binding for actual constructions and may show the optional equipments.

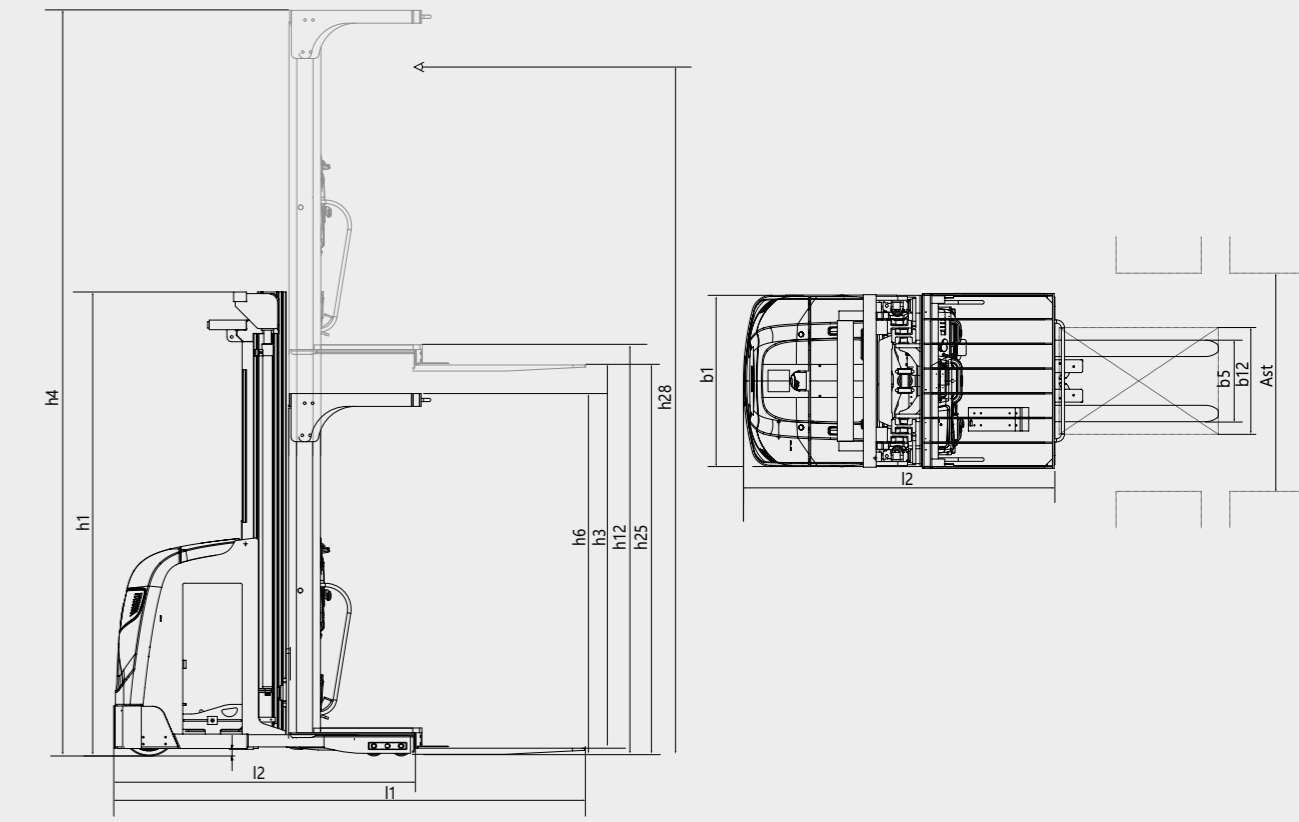
Linde Material Handling

Linde

Linde Material Handling | 5 Distillers Place | Huntingwood NSW 2148
Phone 1300 135 463 | www.lindemh.com.au

Technical Data

			LINDE	LINDE	LINDE	
			V15 24V	V15 24V	V15 36V	
Characteristics	1.1	Manufacturer		LINDE	LINDE	
	1.2	Manufacturer's model designation		V15 24V	V15 36V	
	1.2a	Series		5215	5215	
	1.3	Power unit		Battery	Battery	
	1.4	Operation		Stand	Stand	
	1.5	Load capacity	Q (kg)	1360	1360	1360
	1.6	Load centre	c (mm)	600	600	600
	1.8	Axle centre to fork face	x (mm)	300	300	300
	1.9	Wheelbase	y (mm)	1425	1425	1425
Weights	2.1	Service Weight	kg	3430	3995	4300
	2.2	Axle loadings with load front/rear	kg	1010/3780	1315/4040	1380/4280
	2.3	Axle loadings without load front/rear	kg	1915/1515	2210/1785	2340/1960
Wheels	3.1	Tyres		Polyurethane	Polyurethane	Polyurethane
	3.2	Tyre size, drive side	mm	Ø 343 x 135	Ø 343 x 135	Ø 343 x 135
	3.3	Tyre size, load side	mm	Ø 125 x 105	Ø 125 x 105	Ø 125 x 105
	3.5	Wheels, number front/rear (x=driven)		1x/4	1x/4	1x/4
	3.6	Track width, front	b10 (mm)	0	0	0
	3.7	Track width, rear	b11 (mm)	935	1230	1382
	Dimensions	4.2	Height of mast, lowered	h1 (mm)	2705	3255
4.4		Lift	h3 (mm)	6030	7430	9130
4.5		Height of mast, extended	h4 (mm)	8310	9710	11410
4.7		Height of overhead guard(cabin)	h6 (mm)	2280	2280	2280
4.8		Height of seat/stand-on platform	h7 (mm)	210	210	210
4.14		platform height, raised	h12 (mm)	6240	7640	9340
4.15		Fork height lowered	h13 (mm)	65	65	65
4.19		Overall length	l1 (mm)	3020	3020	3020
4.20		length to fork face	l2 (mm)	1945	1945	1945
4.21		Overall width	b1/b2	1077/1077	1077/1372	1077/1524
4.22		Fork dimensions	s/e/l (mm)	40 x 100 x 1070	40 x 100 x 1070	40 x 100 x 1070
4.25		Fork spread, min./max.	b5 (mm)	715/615	715/615	715/615
4.31		Ground clearance , mast	m1 (mm)	42	42	42
4.32		Ground clearance , centre of wheelbase	m2 (mm)	70	70	70
4.35		Turning radius	Wa (mm)	1700	1780	1800
4.42	End aisle width, with/without load	Au (mm)	3260	3300	3320	
Performances	5.1	Travel speed, with/without load	km/h	9.0/9.0 ¹⁾	9.0/9.0 ¹⁾	9.0/9.0 ¹⁾
	5.2	Lift speed, with/without load	m/s	0.15/0.23	0.23/0.38	0.41/0.53
	5.3	Lowering speed, with/without load	m/s	0.4/0.4	0.4/0.4	0.4/0.4
	5.9	Acceleration time, with/without load	s	6.0/5.6	6.4/6.0	6.8/6.3
	5.10	Service Brakes	s	Regenerative	Regenerative	Regenerative
E-motors	6.1	Drive motor, 60 minute rating	kW	4.9	4.9	6.6
	6.2	Lift motor at 53 15%	kW	10	10	17.3
	6.4	Battery voltage/rated capacity (5h)	V/Ah	24/840	24/930	36/620
	6.5	Battery weight (±5%)	kg	672	778	840
Others	8.1	Type of drive control		Microprocessor	Microprocessor	Microprocessor
	8.2	Sound level at driver's ear	dB(A)	<70	<70	<70
<p>Figures for standard version may vary when options equipment is fitted</p> <p>1) Free range mode</p>						



V15-24V Basic				
Lift height	h3 (mm)	4830	5280	6030
Total lift height from ground	h25(mm)	4895	5345	6095
Platform height	h12 (mm)	5040	5490	6240
Picking height	h28(mm)	6640	7090	7840
Retracted Height	h1(mm)	2305	2455	2705
Extended height	h (mm)	5465	5915	6665
Extended height	h4(mm)	7110	7560	8310

V15-24V High Performance						
Lift height	h3 (mm)	4830	5280	6030	6680	7430
Total lift height from ground	h25(mm)	4895	5345	6095	6745	7495
Platform height	h12 (mm)	5040	5490	6240	6890	7640
Picking height	h28(mm)	6640	7090	7840	8490	9240
Retracted Height	h1(mm)	2305	2455	2705	3005	3255
Extended height	h (mm)	5465	5915	6665	7315	8065
Extended height	h4(mm)	7110	7560	8310	8960	9710

V15-36V High performance										
Lift height	h3 (mm)	4830	5280	6030	6680	7430	7880	8380	8830	9130
Total lift height from ground	h25(mm)	4895	5345	6095	6745	7495	7945	8445	8895	9195
Platform height	h12 (mm)	5040	5490	6240	6890	7640	8090	8590	9040	9340
Picking height	h28(mm)	6640	7090	7840	8490	9240	9690	10190	10640	10940
Retracted Height	h1(mm)	2305	2455	2705	3005	3255	3405	3805	3955	4055
Extended height	h (mm)	5465	5915	6665	7315	8065	8515	9015	9465	9765
Extended height	h4(mm)	7110	7560	8310	8960	9710	10160	10660	11110	11410