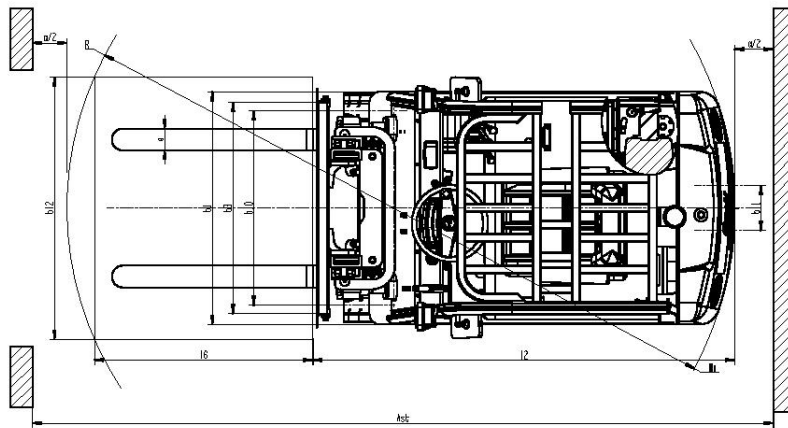
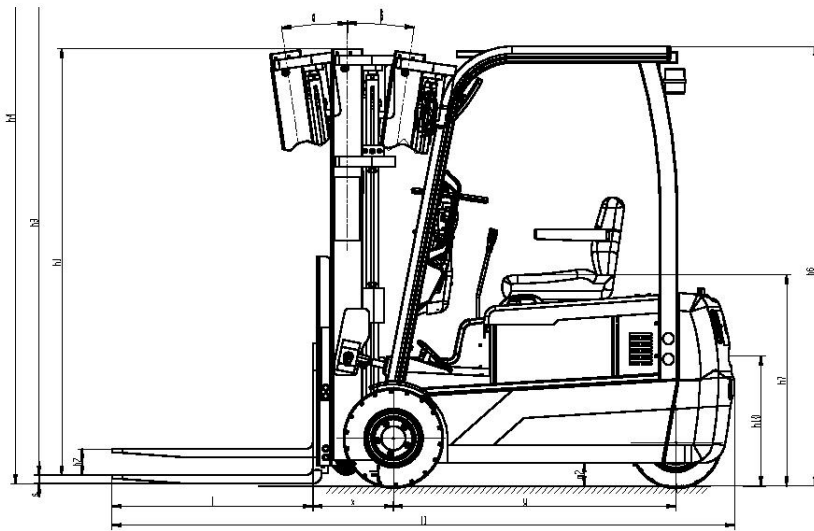


Baoli KBET 15-18



Baoli

1.1	Manufacturer		KION BAOLI	KION BAOLI
1.2	Manufacturer's type designation		KBET 15	KBET 18
1.3	Drive: electric, diesel, petrol, fuel gas		Electric	Electric
1.4	Operator type: hand, pedestrian, standing, seated, order-picker		Seated	Seated
1.5	Rated capacity / Rated load	Q (t)	1.5	1.8
1.6	Load centre distance	c (mm)	500	500
1.8	Load distance, centre of drive axle to fork	x (mm)	365	365
1.9	Wheelbase	y (mm)	1295	1295
2.1	Service weight	Kg	3130	3260
2.2	Axle loading, laden front/rear	Kg	3900/730	4530/530
2.3	Axle loading, unladen front/rear	Kg	1500/1630	1500/1760
3.1	Tyres: solid rubber, superelastic, pneumatic, polyurethane		S/E	S/E
3.2	Tyre size, front		18x7-8	18x7-8
3.3	Tyre size, rear		16x6-8	16x6-8
3.5	Wheels, number front/rear (x = driven wheels)		2x/2	2x/2
3.6	Tread, front	b10 (mm)	890	890
3.7	Tread, rear	b11 (mm)	205	205
4.1	Tilt of mast/fork carriage forward/backward	α/β (°)	5/7	5/7
4.2	Height, mast lowered	h1 (mm)	2005	2005
4.3	Free lift	h2 (mm)	122	122
4.4	Lift	h3 (mm)	3000	3000
4.5	Height, mast extended	h4 (mm)	3945	3945
4.7	Height of overhead guard (cabin)	h6 (mm)	2015	2015
4.8	Seat height/stand height	h7 (mm)	958	958
4.12	Coupling height	h10 (mm)	600	600
4.19	Overall length	l1 (mm)	2850	2850
4.20	Length to face of forks	l2 (mm)	1930	1930
4.21	Overall width	b1/b2 (mm)	1066	1066
4.22	Fork dimensions ISO 2331	s/e/l (mm)	35/120/920	35/120/920
4.23	Fork carriage ISO 2328, class/type A, B		II A	II A
4.24	Fork carriage width	b3 (mm)	968	968
4.31	Ground clearance, laden, below mast	m1 (mm)	120	120
4.32	Ground clearance, centre of wheelbase	m2 (mm)	110	110
4.34.1	Aisle width for pallets 1000 x 1200 crossways	Ast (mm)	3241	3241
4.34.2	Aisle width for pallets 800 x 1200 crossways	Ast (mm)	3060	3060
4.35	Turning radius	Wa (mm)	1550	1550
4.36	Internal turning radius	b13 (mm)	-	-
5.1	Travel speed, laden/unladen	km/h	14/15.5	13.5/15
5.2	Lift speed, laden/unladen	m/s	0,300/0,470	0,300/0,470
5.3	Lowering speed, laden/unladen	m/s	0,460/0,420	0,480/0,420
5.8	Max gradeability, laden/unladen	%	20/20	20/20
5.10	Service brake		Electromechanical	Electromechanical
6.1	Drive motor rating S2 60 min	kW	2x6.5	2x6.5
6.2	Lift motor rating at S3 15%	kW	16.5	16.5
6.4	Battery voltage/nominal capacity K5	V/Ah	48 / 505/525/595	48 / 505/525/595
6.5	Battery weight	kg	810~920	810~920
6.6	Energy consumption according to VDI cycle	kWh/h	5.4	5.5
10.1	Operating pressure for attachments	bar	160	160
10.7	Sound pressure level at driver's seat	dB (A)	≤75	≤75



KBET 15								
Mast type	H3	Rated Capacity - Load center 500 mm	Rated Capacity - Load center 500 mm - with Sideshift	H1	H4 with load backrest	H2 without load backrest	H2 with load backrest	Mast angle Front/back
VM Tele	2500	1500	1350	1745	3542	140	140	5/7
	2700	1500	1350	1845	3742	140	140	5/7
	3000	1500	1350	2005	4042	140	140	5/7
	3250	1500	1350	2120	4292	140	140	5/7
	3300	1500	1350	2145	4342	140	140	5/7
	3500	1500	1350	2245	4542	140	140	5/7
	4000	1300	1150	2545	5042	140	140	5/7
VFM 2 stage	2500	1500	1350	1745	3542	1250	743	5/7
	2700	1500	1350	1845	3742	1350	843	5/7
	3000	1500	1350	2005	4042	1500	993	5/7
	3300	1500	1350	2145	4342	1650	1143	5/7
	3500	1500	1350	2245	4542	1690	1243	5/7
	4000	1300	1150	2545	5042	1890	1543	5/7
VFHM triplex	4000	1300	1150	1940	5042	1400	938	3/5
	4350	1280	1130	2065	5392	1525	1063	3/5
	4500	1250	1100	2115	5542	1575	1183	3/5
	4700	1250	1100	2185	5742	1645	1183	3/5
	4800	1200	1050	2215	5842	1745	1213	3/5
	5000	1100	950	2315	6042	1775	1313	3/5
	5400	900	750	2440	6442	1900	1483	3/5
	5500	750	600	2465	6542	1925	1463	3/5
6000	500	350	2665	7042	2125	1663	3/5	

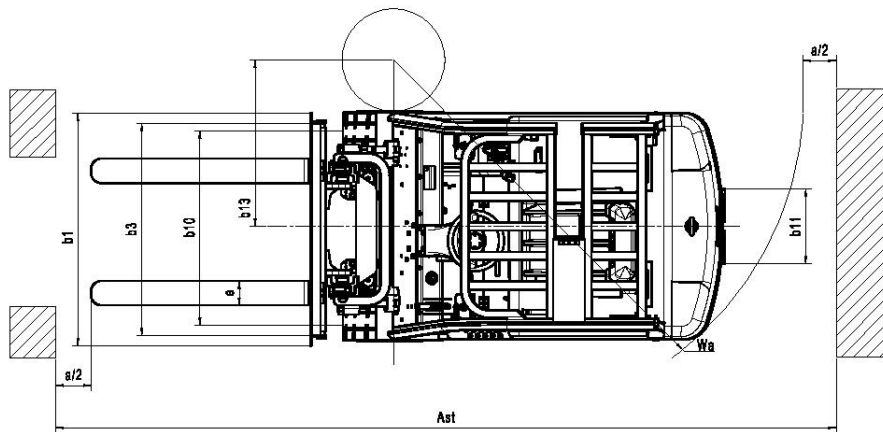
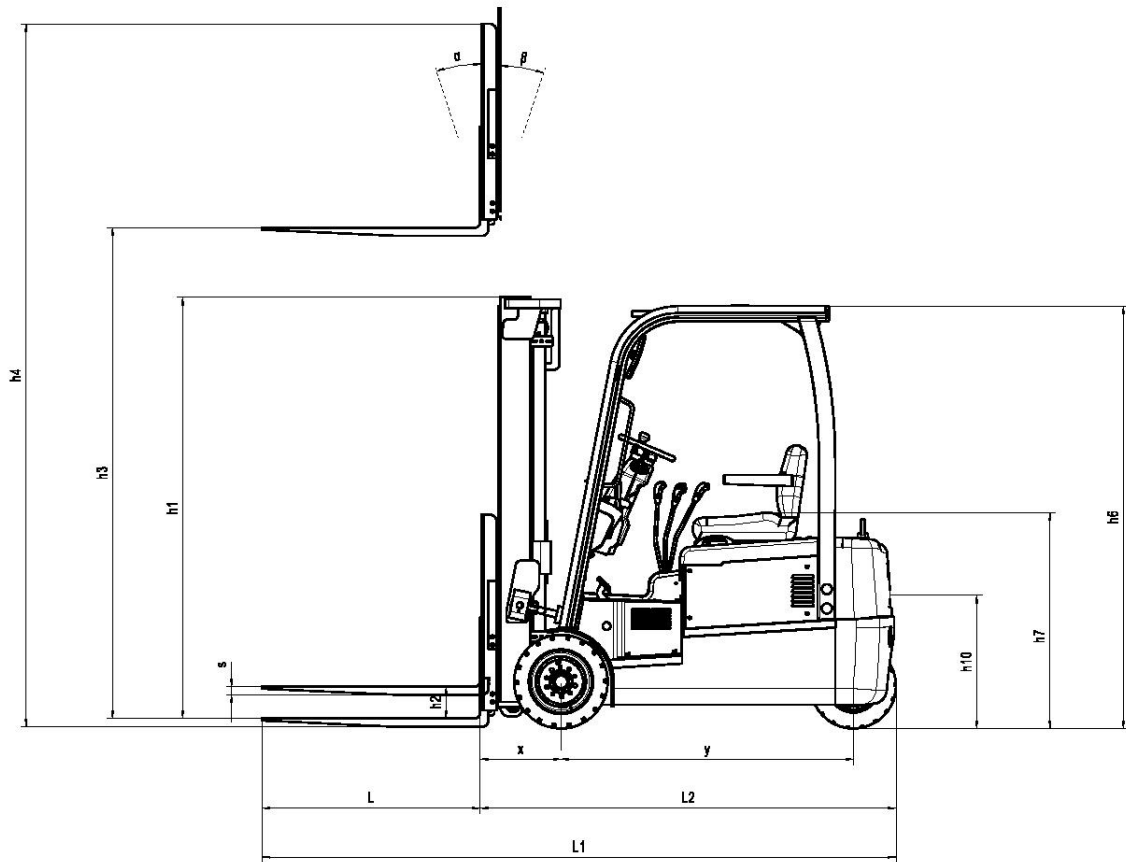
KBET 18								
Mast type	H3	Rated Capacity - Load center 500 mm	Rated Capacity - Load center 500 mm - with Sideshift	H1	H4 with load backrest	H2 without load backrest	H2 with load backrest	Mast angle Front/back
VM Tele	2500	1800	1650	1745	3542	140	140	5/7
	2700	1800	1650	1845	3742	140	140	5/7
	3000	1800	1650	2005	4042	140	140	5/7
	3250	1800	1650	2120	4292	140	140	5/7
	3300	1800	1650	2145	4342	140	140	5/7
	3500	1800	1650	2245	4542	140	140	5/7
	4000	1600	1450	2545	5042	140	140	5/7
VFM 2 stage	2500	1800	1650	1745	3542	1250	743	5/7
	2700	1800	1650	1845	3742	1350	843	5/7
	3000	1800	1650	2005	4042	1500	993	5/7
	3300	1800	1650	2145	4342	1650	1143	5/7
	3500	1800	1650	2245	4542	1690	1243	5/7
	4000	1600	1450	2545	5042	1890	1543	5/7
VFHM triplex	4000	1500	1350	1940	5042	1400	938	3/5
	4350	1400	1250	2065	5392	1525	1063	3/5
	4500	1400	1250	2115	5542	1575	1183	3/5
	4700	1300	1150	2185	5742	1645	1183	3/5
	4800	1300	1150	2215	5842	1745	1213	3/5
	5000	1200	1050	2315	6042	1775	1313	3/5
	5400	1000	850	2440	6442	1900	1483	3/5
	5500	850	700	2465	6542	1925	1463	3/5
	6000	650	500	2665	7042	2125	1663	3/5

Baoli KBET 20



Baoli

1.1	Manufacturer		KION BAOLI
1.2	Manufacturer's type designation		KBET 20
1.3	Drive: electric, diesel, petrol, fuel gas		Electric
1.4	Operator type: hand, pedestrian, standing, seated, order-picker		Seated
1.5	Rated capacity / Rated load	Q (t)	2,0
1.6	Load centre distance	c (mm)	500
1.8	Load distance, centre of drive axle to fork	x (mm)	396
1.9	Wheelbase	y (mm)	1435
2.1	Service weight	Kg	3650
2.2	Axle loading, laden front/rear	Kg	4970/680
2.3	Axle loading, unladen front/rear	Kg	1650/2000
3.1	Tyres: solid rubber, superelastic, pneumatic, polyurethane		S/E
3.2	Tyre size, front		200/50-10
3.3	Tyre size, rear		16x6-8
3.5	Wheels, number front/rear (x = driven wheels)		2x/2
3.6	Tread, front	b10 (mm)	925
3.7	Tread, rear	b11 (mm)	205
4.1	Tilt of mast/fork carriage forward/backward	α/β (°)	5/7
4.2	Height, mast lowered	h1 (mm)	2007
4.3	Free lift	h2 (mm)	98
4.4	Lift	h3 (mm)	3000
4.5	Height, mast extended	h4 (mm)	4030
4.7	Height of overhead guard (cabin)	h6 (mm)	2075
4.8	Seat height/stand height	h7 (mm)	1065
4.12	Coupling height	h10 (mm)	630
4.19	Overall length	l1 (mm)	3112
4.20	Length to face of forks	l2 (mm)	2042
4.21	Overall width	b1/b2 (mm)	1120
4.22	Fork dimensions ISO 2331	s/e/l (mm)	40/122/1070
4.23	Fork carriage ISO 2328, class/type A, B		II A
4.24	Fork carriage width	b3 (mm)	1040
4.31	Ground clearance, laden, below mast	m1 (mm)	114/124
4.32	Ground clearance, centre of wheelbase	m2 (mm)	105/110
4.34.1	Aisle width for pallets 1000 x 1200 crossways	Ast (mm)	3359
4.34.2	Aisle width for pallets 800 x 1200 crossways	Ast (mm)	3178
4.35	Turning radius	Wa (mm)	1640
4.36	Internal turning radius	b13 (mm)	-
5.1	Travel speed, laden/unladen	km/h	13/14
5.2	Lift speed, laden/unladen	m/s	0,300/0,400
5.3	Lowering speed, laden/unladen	m/s	0,460/0,420
5.8	Max gradeability, laden/unladen	%	15/18
5.10	Service brake		Electromechanical
6.1	Drive motor rating S2 60 min	kW	2x6.5
6.2	Lift motor rating at S3 15%	kW	16.5
6.4	Battery voltage/nominal capacity K5	V/Ah	48 / 625/700
6.5	Battery weight	kg	940~1080
6.6	Energy consumption according to VDI cycle	kWh/h	6.1
10.1	Operating pressure for attachments	bar	125
10.7	Sound pressure level at driver's seat	dB (A)	≤75



KBET 20

Mast type	H3	Rated Capacity - Load center 500 mm	Rated Capacity - Load center 500 mm - with Sideshift	H1	H4 with load backrest	H2 without load backrest	H2 with load backrest	Mast angle Front/back
VM Tele	3000	2000	1850	2007	4030	98	98	5/7
	3300	2000	1850	2157	4330	98	98	5/7
	3500	2000	1850	2257	4530	98	98	5/7
	4000	2000	1850	2557	4630	98	98	3/5
VFHM triplex	4000	2000	1850	2000	5034	1349	959	3/5
	4350	2000	1850	2125	5384	1474	1084	3/5
	4500	1950	1800	2175	5532	1524	1134	3/5
	4700	1900	1750	2240	5728	1589	1199	3/5
	5000	1800	1650	2418	6032	1767	1377	3/5
	5400	1700	1550	2618	6432	1967	1577	3/5
	5500	1700	1550	2652	6532	2001	1611	3/5
	6000	1600	1450	2885	7032	2234	1844	3/5