



Four-wheel electric forklift

Xi16 – Xi20 P

Load capacity 1.6 t – 2.0 t | Series 1251

ION

An agile powerhouse

- Powerful electric counterbalance forklift truck up to 2 tonnes capacity with integrated Li-ION battery (Xi)
- Powerful and productive due to 90 volt technology and synchronous reluctance motors
- Exceptionally spacious operator's workspace designed to the highest ergonomic standards
- Above-average lifting and lowering speeds
- Manoeuvrable and sturdy four-wheel version (P) with combi steer or articulating steer axle
- 6 model versions with different chassis and battery variants

TECHNICAL DATA (according to VDI 2198)

Characteristics	1.1	Manufacturer (abbreviation)		Linde MH	Linde MH	Linde MH
	1.2	Manufacturer's type designation		Xi16 P	Xi16 P	Xi20 P
	1.2a	Series		1251-01	1251-01	1251-01
	1.3	Drive		Battery	Battery	Battery
	1.4	Operation		Seated	Seated	Seated
	1.5	Rated capacity/rated load	Q (t)	1.6	1.8	2.0
	1.6	Load centre distance	c (mm)	500	500	500
	1.8	Load distance, centre of drive axle to fork	x (mm)	369.9	374.9	378.9
	1.9	Wheelbase	y (mm)	1417 ¹⁾	1452 ¹⁾	1502 ¹⁾
Weight	2.1	Service weight	kg	2912 ²⁾	3182 ²⁾	3405 ²⁾
	2.2	Axle loading, laden front/rear	kg	3907/605	4323/659	4680/725
	2.3	Axle loading, unladen front/rear	kg	1325/1587 ²⁾	1438/1744 ²⁾	1510/1895 ²⁾
Tyres/chassis	3.1	Tyres: solid rubber, superelastic, pneumatic, polyurethane		SE	SE	SE
	3.2	Tyre size, front		180/70-8 (18 × 7-8)	200/50-10	200/50-10
	3.3	Tyre size, rear		150/75-8 (16 × 6-8)	150/75-8 (16 × 6-8)	150/75-8 (16 × 6-8)
	3.5	Wheels, number front/rear (x = driven wheels)		2 x/2	2 x/2	2 x/2
	3.6	Tread, front	b10 (mm)	930	966	966
	3.7	Tread, rear	b11 (mm)	837	837	837
	Dimensions	4.1	Mast/fork carriage tilt, forward/backward	α/β (°)	5.0/7.0	5.0/7.0
4.2		Mast height, lowered	h1 (mm)	2145	2144	2143
4.3		Free lift	h2 (mm)	150	150	150
4.4		Lift	h3 (mm)	3050	3050	3050
4.5		Mast height, extended	h4 (mm)	3656	3655	3654
4.7		Height of overhead guard (cabin)	h6 (mm)	2054	2052	2052
4.8		Seat height relating to SIP/stand height	h7 (mm)	1021	1021	1021
4.12		Coupling height	h10 (mm)	547	547	546
4.19		Overall length	l1 (mm)	2921	2961	3015
4.20		Length to fork face	l2 (mm)	2021	2061	2115
4.21		Overall width	b1/b2 (mm)	1086/-	1162/-	1162/-
4.22		Fork dimensions DIN ISO 2331	s/e/l (mm)	40/80/900	45/100/900	45/100/900
4.23		Fork carriage to ISO 2328, class/type A, B		2A	2A	2A
4.24		Fork carriage width	b3 (mm)	980	980	980
4.31		Ground clearance, laden, below mast	m1 (mm)	91	95	93
4.32		Ground clearance, centre of wheelbase	m2 (mm)	99	97	97
4.34.1		Aisle width for pallets 1000 × 1200 crossways	Ast (mm)	3347 ³⁾	3386 ³⁾	3440 ³⁾
4.34.2		Aisle width for pallets 800 × 1200 lengthways	Ast (mm)	3471 ³⁾	3511 ³⁾	3565 ³⁾
4.35		Turning radius	Wa (mm)	1651	1686	1736
4.36		Inside turning radius	b13 (mm)	0	0	0
Performance	5.1	Travel speed, laden/unladen	km/h	20/20	20/20	20/20
	5.1.1	Travel speed, laden/unladen	km/h	20/20	20/20	20/20
	5.2	Lifting speed, laden/unladen	m/s	0.6/0.75	0.6/0.75	0.57/0.75
	5.3	Lowering speed, laden/unladen	m/s	0.58/0.5	0.58/0.5	0.58/0.5
	5.5	Drawbar pull, laden/unladen	N	4000/4000	4000/4000	4000/4000
	5.6	Max. drawbar pull, laden/unladen	N	12000/12000	12000/12000	12000/12000
	5.7	Gradeability, laden/unladen	%	16.3/27.3	14.6/24.9	13.2/22.8
	5.8	Max. gradeability, laden/unladen	%	27.2/46.5	24.2/42.0	21.9/38.2
	5.9	Acceleration time, laden/unladen	s	5.1/4.5	5.3/4.6	5.5/4.7
	5.10	Service brake		mech./elect.	mech./elect.	mech./elect.
Electric-engine	6.1	Drive motor rating S2 60 min	kW	2x 6.5	2x 6.5	2x 6.5
	6.2	Lift motor rating at S3 15%	kW	13	13	13
	6.3	Battery according to DIN 43531/35/36 A, B, C, no		Li-ION	Li-ION	Li-ION
	6.4	Battery voltage/nominal capacity K5	(V)/(Ah) or kWh	90/189	90/284	90/284
	6.4.a	Battery energy content	kWh	15.3	23.04	23.04
	6.6	Energy consumption according to DIN EN 16796	kWh/h	4.0	4.3	4.5
	6.6.1	CO2 equivalent compliant with DIN EN 16796	kg/h	2.2	2.3	2.5
	6.7	Turnover output according to VDI 2198	t/h	133	148	163
6.8	Turnover efficiency according to VDI 2198	t/kWh	21.7	22.5	23.3	
Drive/lifting mechanism	8.1	Type of drive unit		Microprocessor control	Microprocessor control	Microprocessor control
Additional data	10.1	Operating pressure for attachments	bar	170	170	170
	10.2	Oil flow for attachments	l/min	32	32	32
	10.7	Sound pressure level LpAZ (at the operator's seat)	dB(A)	66	66	66

1) With vertical mast

2) including battery, lines 6.4/6.5.

3) including a = 200 mm safety distance

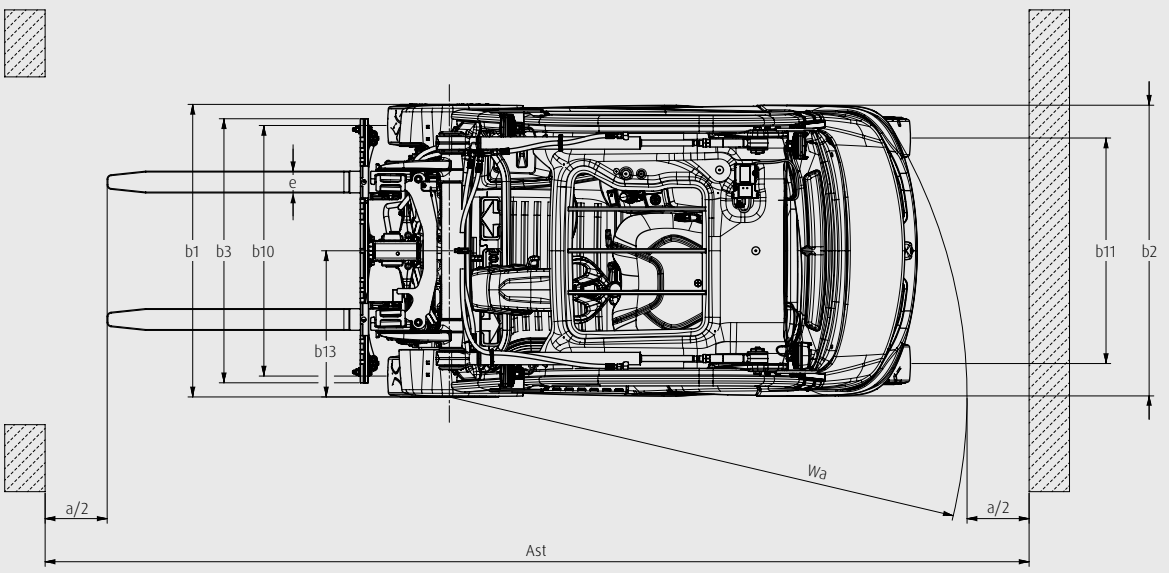
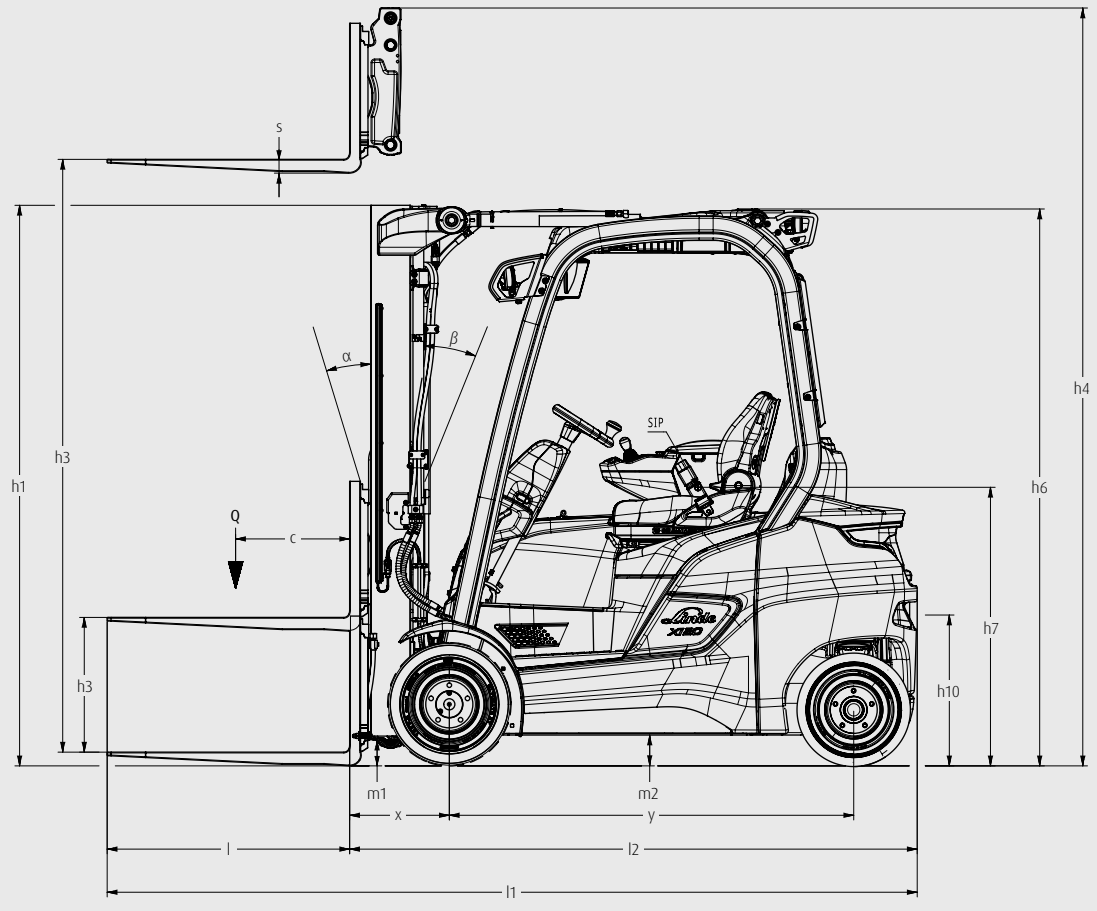
TECHNICAL DATA (according to VDI 2198)

Characteristics	1.1	Manufacturer (abbreviation)		Linde MH	Linde MH	Linde MH
	1.2	Manufacturer's type designation		Xi16 PH	Xi16 PH	Xi20 PH
	1.2a	Series		1251-01	1251-01	1251-01
	1.3	Drive		Battery	Battery	Battery
	1.4	Operation		Seated	Seated	Seated
	1.5	Rated capacity/rated load	Q (t)	1.6	1.8	2.0
	1.6	Load centre distance	c (mm)	500	500	500
	1.8	Load distance, centre of drive axle to fork	x (mm)	369.9	374.9	378.9
	1.9	Wheelbase	y (mm)	1505 ¹⁾	1505 ¹⁾	1505 ¹⁾
Weight	2.1	Service weight	kg	3067 ²⁾	3189 ²⁾	3399 ²⁾
	2.2	Axle loading, laden front/rear	kg	3925/742	4316/673	4665/734
	2.3	Axle loading, unladen front/rear	kg	1400/1667 ²⁾	1470/1719 ²⁾	1497/1902 ²⁾
Tyres/chassis	3.1	Tyres: solid rubber, superelastic, pneumatic, polyurethane		SE	SE	SE
	3.2	Tyre size, front		180/70-8 (18 × 7-8)	200/50-10	200/50-10
	3.3	Tyre size, rear		150/75-8 (16 × 6-8)	150/75-8 (16 × 6-8)	150/75-8 (16 × 6-8)
	3.5	Wheels, number front/rear (x = driven wheels)		2 x/2	2 x/2	2 x/2
	3.6	Tread, front	b10 (mm)	930	966	966
	3.7	Tread, rear	b11 (mm)	877	877	877
	Dimensions	4.1	Mast/fork carriage tilt, forward/backward	α/β (°)	5.0/7.0	5.0/7.0
4.2		Mast height, lowered	h1 (mm)	2294	2293	2293
4.3		Free lift	h2 (mm)	150	150	150
4.4		Lift	h3 (mm)	3350	3350	3350
4.5		Mast height, extended	h4 (mm)	3955	3954	3954
4.7		Height of overhead guard (cabin)	h6 (mm)	2209	2209	2208
4.8		Seat height relating to SIF/stand height	h7 (mm)	1176	1177	1177
4.12		Coupling height	h10 (mm)	621	622	622
4.19		Overall length	l1 (mm)	3049	3054	3058
4.20		Length to fork face	l2 (mm)	2149	2154	2158
4.21		Overall width	b1/b2 (mm)	1086	1162	1162
4.22		Fork dimensions DIN ISO 2331	s/e/l (mm)	40/80/900	45/100/900	45/100/900
4.23		Fork carriage to ISO 2328, class/type A, B		2A	2A	2A
4.24		Fork carriage width	b3 (mm)	980	980	980
4.31		Ground clearance, laden, below mast	m1 (mm)	91	95	94
4.32		Ground clearance, centre of wheelbase	m2 (mm)	98	97	96
4.34.1		Aisle width for pallets 1000 × 1200 crossways	Ast (mm)	3596 ³⁾	3601 ³⁾	3605 ³⁾
4.34.2		Aisle width for pallets 800 × 1200 lengthways	Ast (mm)	3796 ³⁾	3801 ³⁾	3805 ³⁾
4.35		Turning radius	Wa (mm)	2026	2026	2026
4.36		Inside turning radius	b13 (mm)	670	670	670
Performance	5.1	Travel speed, laden/unladen	km/h	20/20	20/20	20/20
	5.1.1	Travel speed, laden/unladen, backward	km/h	20/20	20/20	20/20
	5.2	Lifting speed, laden/unladen	m/s	0.6/0.75	0.6/0.7	0.57/0.75
	5.3	Lowering speed, laden/unladen	m/s	0.58/0.5	0.58/0.5	0.58/0.5
	5.5	Drawbar pull, laden/unladen	N	4000/4000	4000/4000	4000/4000
	5.6	Max. drawbar pull, laden/unladen	N	12000/12000	12000/12000	12000/12000
	5.7	Gradeability, laden/unladen	%	15.8/25.8	13.3/23.3	13.3/23.3
	5.8	Max. gradeability, laden/unladen	%	26.2/43.7	22.2/39.1	22.2/39.1
	5.9	Acceleration time, laden/unladen	s	5.2/4.5	5.5/4.7	5.5/4.7
	5.10	Service brake		mech./elect.	mech./elect.	mech./elect.
Electric-engine	6.1	Drive motor rating S2 60 min	kW	2x 6.5	2x 6.5	2x 6.5
	6.2	Lift motor rating at S3 15%	kW	13	13	13
	6.3	Battery according to DIN 43531/35/36 A, B, C, no		Li-ION	Li-ION	Li-ION
	6.4	Battery voltage/nominal capacity K5	(V)/(Ah) or kWh	90/189	90/284	90/284
	6.4.a	Battery energy content	kWh	15.3	23.04	23.04
	6.6	Energy consumption according to DIN EN 16796	kWh/h	3.8	4.1	4.3
	6.6.1	CO2 equivalent compliant with DIN EN 16796	kg/h	2.1	2.2	2.3
	6.7	Turnover output according to VDI 2198	t/h	132	148	163
6.8	Turnover efficiency according to VDI 2198	t/kWh	21.5	22.5	23.3	
Drive/lifting mechanism	8.1	Type of drive unit		Microprocessor control	Microprocessor control	Microprocessor control
Additional data	10.1	Operating pressure for attachments	bar	170	170	170
	10.2	Oil flow for attachments	l/min	32	32	32
	10.7	Sound pressure level LpAZ (at the operator's seat)	dB(A)	66	66	66

1) With vertical mast

2) including battery, lines 6.4/6.5.

3) including a = 200 mm safety distance



MAST TABLES

STANDARD MAST (in mm)

Series	1521								
Lift	h3: 2800	h3: 2950	h3: 3150	h3: 3250	h3: 3350	h3: 3850	h3: 4250	h3: 4650	h3: 5650
Height measurements	h1: 2025 h2: 150 h4: 3410	h1: 2100 h2: 150 h4: 3560	h1: 2200 h2: 150 h4: 3760	h1: 2250 h2: 150 h4: 3860	h1: 2300 h2: 150 h4: 3960	h1: 2550 h2: 150 h4: 4460	h1: 2750 h2: 150 h4: 4860	h1: 2950 h2: 150 h4: 5260	h1: 3450 h2: 150 h4: 6260
Manufacturer's type designation									
Xi16 P	○	○	○	○	○	○	○	○	○
Xi16 PH	–	–	–	○	○	○	○	○	○
Xi18 P	○	○	○	○	○	○	○	○	○
Xi18 PH	–	–	–	○	○	○	○	○	○
Xi20 P	○	○	○	○	○	○	○	○	○
Xi20 PH	–	–	–	○	○	○	○	○	○

DUPLEX MAST (in mm)

Series	1521						
Lift	h3: 2795	h3: 2945	h3: 3145	h3: 3245	h3: 3345	h3: 3545	h3: 3845
Height measurements	h1: 1945 h2: 1343 h4: 3405	h1: 2020 h2: 1418 h4: 3555	h1: 2120 h2: 1518 h4: 3755	h1: 2170 h2: 1568 h4: 3855	h1: 2220 h2: 1618 h4: 3955	h1: 2320 h2: 1718 h4: 4155	h1: 2470 h2: 1868 h4: 4455
Manufacturer's type designation							
Xi16 P	○	○	○	○	○	○	○
Xi16 PH	–	–	–	○	○	○	○
Xi18 P	○	○	○	○	○	○	○
Xi18 PH	–	–	–	○	○	○	○
Xi20 P	○	○	○	○	○	○	○
Xi20 PH	–	–	–	○	○	○	○

TRIPLEX MAST (in mm)

Series	1521								
Lift	h3: 4100	h3: 4325	h3: 4625	h3: 4775	h3: 4925	h3: 5475	h3: 5625	h3: 6075	h3: 6225
Height measurements	h1: 1953 h2: 1343 h4: 4710	h1: 2028 h2: 1418 h4: 4935	h1: 2128 h2: 1518 h4: 5235	h1: 2178 h2: 1568 h4: 5385	h1: 2228 h2: 1618 h4: 5535	h1: 2478 h2: 1868 h4: 6085	h1: 2528 h2: 1918 h4: 6235	h1: 2678 h2: 2068 h4: 6685	h1: 2728 h2: 2118 h4: 6835
Manufacturer's type designation									
Xi16 P	○	○	○	○	○	○	○	○	○
Xi16 PH	–	–	–	–	○	○	○	○	○
Xi18 P	○	○	○	○	○	○	○	○	○
Xi18 PH	–	–	–	–	○	○	○	○	○
Xi20 P	○	○	○	○	○	○	○	○	○
Xi20 PH	–	–	–	–	○	○	○	○	○

○ Optional equipment

– Not available

h1: Mast height, lowered

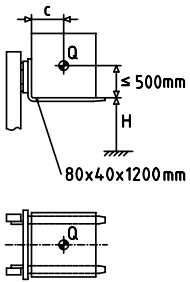
h2: Free lift

h3: Lift

h4: Mast height, extended

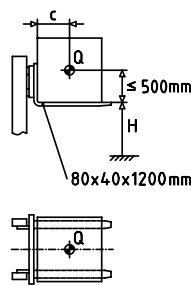
LOAD CAPACITY

Xi16 P*



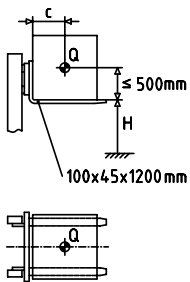
H (mm)	Q (kg)				
6500	1050	940	850	780	
6300	1150	1030	930	850	
6100	1250	1120	1010	920	
6000	1300	1160	1050	960	
5900	1350	1210	1090	1000	
5800	1400	1250	1130	1040	
5700	1450	1300	1170	1070	
5600	1500	1340	1210	1110	
5500	1520	1360	1230	1130	
5400	1550	1390	1260	1150	
5300	1570	1410	1280	1170	
≤ 5200	1600	1430	1300	1180	
c (mm)	400-500	600	700	800	

Xi16 PH*



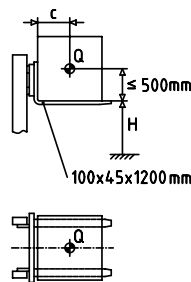
H (mm)	Q (kg)				
6500	1050	940	850	780	
6300	1150	1030	930	850	
6100	1250	1120	1010	920	
6000	1300	1160	1050	960	
5900	1350	1210	1090	1000	
5800	1400	1250	1130	1040	
5700	1450	1300	1170	1070	
5600	1500	1340	1210	1110	
5500	1520	1360	1230	1130	
5400	1550	1390	1260	1150	
5300	1570	1410	1280	1170	
≤ 5200	1600	1430	1300	1180	
c (mm)	400-500	600	700	800	

Xi18 P



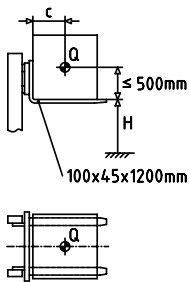
H (mm)	Q (kg)				
6200	1370	1220	1110	1020	
6100	1410	1270	1150	1050	
6000	1460	1310	1190	1090	
5900	1510	1350	1230	1120	
5800	1560	1400	1270	1160	
5700	1610	1440	1310	1190	
5600	1640	1470	1330	1220	
5500	1670	1500	1360	1240	
5400	1700	1530	1380	1260	
5300	1730	1550	1410	1290	
5200	1760	1580	1430	1310	
≤ 5100	1800	1610	1460	1340	
c (mm)	400-500	600	700	800	

Xi18 PH



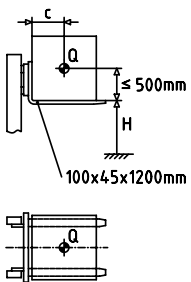
H (mm)	Q (kg)				
6200	1440	1290	1170	1070	
6100	1480	1330	1200	1100	
6000	1530	1370	1240	1130	
5900	1570	1410	1280	1170	
5800	1620	1450	1310	1200	
5700	1660	1490	1350	1230	
5600	1710	1530	1390	1270	
5500	1750	1570	1420	1300	
≤ 5400	1800	1610	1460	1340	
c (mm)	400-500	600	700	800	

Xi20 P



H (mm)	Q (kg)				
6200	1510	1350	1230	1120	
6000	1610	1440	1310	1200	
5900	1660	1490	1350	1240	
5800	1710	1540	1390	1270	
5700	1760	1580	1430	1310	
5600	1810	1630	1480	1350	
5500	1870	1670	1520	1390	
5400	1890	1700	1540	1410	
5300	1920	1720	1560	1430	
5200	1940	1740	1580	1450	
5100	1970	1770	1600	1470	
≤ 5000	2000	1790	1620	1490	
c (mm)	400-500	600	700	800	

Xi20 PH



H (mm)	Q (kg)				
6200	1510	1350	1230	1120	
6000	1610	1440	1310	1200	
5900	1660	1490	1350	1240	
5800	1710	1540	1390	1270	
5700	1760	1580	1430	1310	
5600	1810	1630	1480	1350	
5500	1870	1670	1520	1390	
5400	1890	1700	1540	1410	
5300	1920	1720	1560	1430	
5200	1940	1740	1580	1450	
5100	1970	1770	1600	1470	
≤ 5000	2000	1790	1620	1490	
c (mm)	400-500	600	700	800	

* P = Four-wheel configuration

H = High version - for a high seating position for the driver

H = Lifting height, c = Load centre distance, Q = Load capacity
Load capacity for standard mast and fork carriage

STANDARD AND OPTIONAL EQUIPMENT

Manufacturer's type designation/equipment		Xi16 - Xi20 P
Safety	Linde Curve Assist - automatic reduction of travel speed around corners	●
	Electric seat belt monitoring - visual and audible feedback	●
	Linde Load Assist - increased safety at high lift heights	●
	BlueSpot and TruckSpot - visual drive path warning for pedestrians and other operators	○
	Load weight indicator	○
	Linde Safety Pilot - load-dependent driving and lifting speed regulation plus additional functions	○
	Linde Safety Guard - visual and audible proximity warning between trucks or between trucks and pedestrians	○
	Speed restriction options (via switch, indoor/outdoor, load-dependent)	○
	Electrically monitored restraint system (optional monitoring: Door and/or belt)	○
	Linde LED stripes - optimum illumination of travel direction (switched or automatic) for increased safety	○
	Linde Vertilight - extensive illumination of racking, load and forks	○
	Reverse Assist Radar - rear collision avoidance	○
Reverse Assist Camera - personnel detection camera system avoids accidents	○	
Digitalisation	Online data transmission	●
	WiFi data transmission	○
	Linde Fleet Management (local and cloud-based fleet management with different functional modules)	○
	Linde Pre-Op Check - customizable daily check protocol for operational readiness, integrated in the truck display	○
	Truck Call app - coordination of transport jobs	○
Operation/ load handling	Twin pedal control - smooth acceleration and quick direction changes	●
	Single pedal control - smooth acceleration and change of travel direction via switch	○
	Linde Load Control - central control lever fully integrated into the armrest for precise control of all hydraulic functions	●
	Multifunction lever - effortless control and increased ease of use	○
	Individual lever control of hydraulic functions	○
Workplace	Innovative decoupling concept decreases whole body vibrations to reduce operator fatigue	●
	Ergonomic and safe on/off access for operator	●
	Adjustable steering column tilt	●
	Comfort overhead guard for optimum headroom	●
	Operator's seat - fast, easy mechanical weight adjustment	●
	Different operator's seat options: seat heating, air suspension, active seat suspension, fore/aft suspension	○
	Operator's seat - swivelling seat	○
	3.5" LED colour display, including steering and tilt angle display	●
	7" LED multifunction colour display integrates additional functions such as cameras, Linde Safety Pilot and Pre-Op Check	○
	Armoured glass roof window	○
	Light metal doors with wide-opening sliding window	○
	Illuminated DIN A4 clip board	○
	Electric heating - 4 heat settings and 7 air nozzles for targeted adjustment as required	○
Fully into the contour integrated air conditioning - use of existing air nozzles from the heating system for efficient cooling	○	
Radio incl. DAB+, MP3 player and Bluetooth hands-free kit	○	
Mast	High mounted tilt cylinders with maintenance-free bearings increase capacity at height	●
	Optimum visibility due to nested mast profiles on standard, duplex and triplex masts	●
	Electronically damped tilt stop	●
	Load damping for increased driving comfort and reduced wear and tear	○
Attachments/ forks	Reinforced Linde forks - easy to adjust and offering long service life	○
	Integral roller-guided side shift carriage retains full truck capacity	○
	Integral fork positioning carriage 'VIEW' for optimum residual load capacity and exceptional visibility	○
Axles and tyres	Linde combi steer axle - excellent manoeuvrability in the tightest spaces (Xi16 P, Xi18 P, Xi20 P)	●
	Linde articulating steer axle - superb manoeuvrability, reliability and robustness (Xi16 PH, Xi18 PH, Xi20 PH)	●
	Super-elastic tyres (SE)	●
	Closed shoulder CS 20 tyres	○
	Anti-static or non-marking tyres	○
	Dirt deflectors/mud guards, front and rear	○
Drive and brake system	90 volt twin motor front-wheel drive with traction control and ramp assist	●
	Synchronous reluctance motors (SRM) for traction and lifting functions	●
	Operating settings - economy, efficiency and performance - for individual performance adjustment	●
	Automatic parking brake	●
Energy	Simple, convenient charging thanks to rear charging option	●
	Charge anywhere with fully integrated, high frequency (HF) on-board charger	○
	Fully integrated 90 volt Li-ION battery	●

● Standard equipment ○ Optional equipment

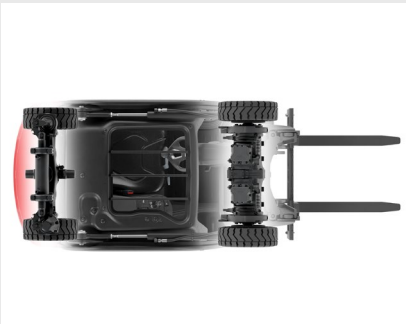
CHARACTERISTICS



Workplace

Ergonomics

- Operator's workstation isolated from road shocks and vibrations by elastomer ring bearings to reduce vibration and fatigue for the operator
- Intuitive operation thanks to twin pedal control and Linde Load Control
- Wide range of ergonomic comfort seats for optimum seating position
- Fully integrated air conditioning and heating systems for optimum working comfort
- Low step-in and spacious cab with plenty of head and legroom
- Optional operating concept Linde Steer Control with joystick or mini wheel



Bird's eye view x-ray

Handling

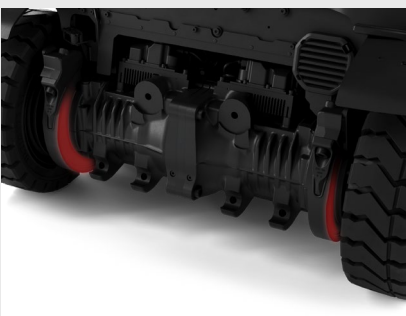
- Lifting and lowering speeds up to 20 percent above industry standard
- Linde combi steer or articulating steer axle ensure manoeuvrability and stability for indoor and outdoor use
- Maximum speed of up to 20 km/h for fast product transfers
- Optional onboard charger provides flexible opportunity charging
- 90 volt technology ensures consistently high performance, even in multi-shift operation



Panoramic view

Safety

- Low vehicle centre of gravity ensures optimum resistance to tipping enhancing safety
- Overhead tilt cylinders for precise load handling at high lift heights
- Optimised visibility due to nested mast profiles and narrow A-pillars
- Linde Curve Assist for automatic travel speed reduction around corners
- Linde Load Assist for increased safety at high lift heights
- Automatic parking brake holds the truck securely on ramps and gradients
- Numerous optional assistance systems for additional protection



Drive axle

Service

- Robust, low-wear design of all components
- Maintenance-free, fully enclosed drive components
- Long maintenance intervals (change of hydraulic oil and hydraulic oil filter after 6000 hours)
- Easily accessible components lead to fast, efficient maintenance
- Remote diagnostics and predictive maintenance through data analysis reduce downtime

Presented by:

Subject to modification in the interest of progress. Illustrations and technical specifications could include options and are not binding for actual constructions. All dimensions subject to usual tolerances.



Linde Material Handling Pty Ltd
5 Distillers Place, Huntingwood
NSW 2148
Phone + 61 2 9831 9500 | 1300 135 463
www.lindemh.com.au | contact@lindemh.com.au

DS_Xi16-Xi20_P_1251_en_A_1024