



Linde Material Handling

Linde



Order Picker

N16 Li

Capacity 0.8 t | Series 1115

Maneuverable picking assistant

- Operator's platform in front of the battery ensures maximum maneuverability and a clear view of the warehouse environment
- Small turning circle facilitates excellent maneuvering in narrow aisles
- Liftable forks enable order picking at ergonomic height
- Fully suspended operator's platform reduces vibrations and shocks while driving

TECHNICAL DATA (According to VDI 2198)

Characteristics	1.1	Manufacturer		Linde
	1.2	Model		N16 Li
	1.2.a	Series		1115-00
	1.3.	Power Unit		Battery
	1.4	Operation		Preparation
	1.5	Load capacity/Load, main lift only; main lift/initial lift; initial lift only	Q (t)	0.8; 1.6 ¹⁾
	1.6	Load centre	c (mm)	600
	1.8	Axle centre to fork face	x (mm)	945/875 ²⁾³⁾
	1.9	Wheelbase	y (mm)	1546/1476 ²⁾⁴⁾
Weights	2.1	Service weight	(kg)	1282
	2.2	Axle load with load, front/rear	(kg)	1322/1553
	2.3	Axle load without load, front/rear	(kg)	1041/241 ²⁾
Wheels/Tyres	3.1	Tyres rubber, SE, pneumatic, polyurethane		R + P/P; P + P/P
	3.2	Tyre size, front		ø 254 x 102
	3.3	Tyre size, rear		2x ø 85 x 60 (ø 85 x 85) ⁵⁾
	3.4	Additional wheels		2x ø 140 x 50
	3.5	Wheels, number front/rear (x = driven)		1x + 1/2 (1x + 1/4) ⁵⁾
	3.6	Track width, front	b10 (mm)	491
	3.7	Track width, rear	b11 (mm)	380
Dimensions	4.2	Height of mast, lowered	h1 (mm)	1422
	4.3	Free lift	h2 (mm)	550
	4.4	Lift	h3 (mm)	550
	4.6	Initial lift	h5 (mm)	115
	4.8	Height of seat/stand on platform	h7 (mm)	867/1000
	4.10	Height of wheel arms	h8 (mm)	80
	4.15	Height at the end of the forks in the lowered position	h13 (mm)	86
	4.19	Overall length	l1 (mm)	2655 ⁴⁾
	4.20	Length to fork face	l2 (mm)	1505 ⁴⁾
	4.21	Overall width	b1 (mm)	800
	4.22	Fork dimensions	s/e/l (mm)	50/180/1150
	4.23	Load arm dimensions	s/e/l (mm)	75/150/1115
	4.24	Width of fork carriage	b3 (mm)	559
	4.25	Width over forks	b5 (mm)	560
	4.26	Internal width of the load arm	b4 (mm)	255
	4.31	Ground clearance, below mast	m1 (mm)	20/145 ²⁾
	4.32	Ground clearance, centre of wheelbase	m2 (mm)	20/145 ²⁾
	4.33	Load dimensions b12 x l6	b12 x l6 (mm)	800 x 1200 lengthwise
	4.34	Aisle width with predetermined load dimensions	Ast (mm)	2997/2972 ⁴⁾⁷⁾
4.34.1	Aisle width with pallet 1000 x 1200 across forks	Ast (mm)	3124/3095 ⁴⁾⁷⁾	
4.34.2	Aisle width with pallet 800 x 1200 across forks	Ast (mm)	3211/3176 ⁴⁾⁷⁾	
4.35	Turning radius	Wa (mm)	2450/2380 ⁴⁾	
Performance	5.1	Travel speed, with/without load	(km/h)	10/12
	5.1.1	Travel speed, backward, with/without load	(km/h)	10
	5.2	Lifting speed, initial lift, with/without load	(m/s)	0.06/0.07
		Lifting speed, main lift, with/without load	(m/s)	0.16/0.32
	5.3	Lowering speed, initial lift, with/without load	(m/s)	0.06/0.08
		Lowering speed, main lift, with/without load	(m/s)	0.17/0.19
	5.8	Climbing ability, with/without load	(%)	16/20
	5.9	Acceleration time (10 m), with/without load	(s)	5.6/4.9
	5.10	Service brake		Electro-hydraulic
	Drive	6.1	Drive motor rating S2 60 min	(kW)
6.2		Lift motor rating at S3 5 %	(kW)	2.2
6.3		Battery according to DIN 43535/36 A/B/C/no		45535 (3 PzS Lateral Change)
6.4		Battery voltage/capacity (5 h)	(V/Ah)	24/375
6.5		Battery weight (± 10 %)	(kg)	290
6.6		Energy consumption according to VDI cycle normalized	(kWh/h)	0.48
6.7		Turnover output according to VDI cycle	(T/h)	118.4
6.8		Consumption according to turnover output	(kWh/h)	1.63
Others	8.1	Type of drive control		LAC
	10.7	Noise level at operator's ear	(dB(A))	< 85
		Level of vibration felt by the operator	(m/s ²)	0.7

1) Pallet truck capacity on the fork arms, with initial lift option

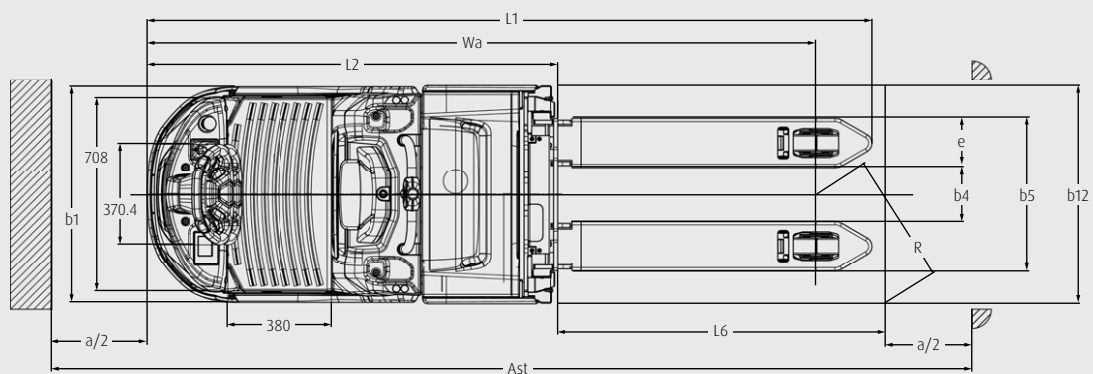
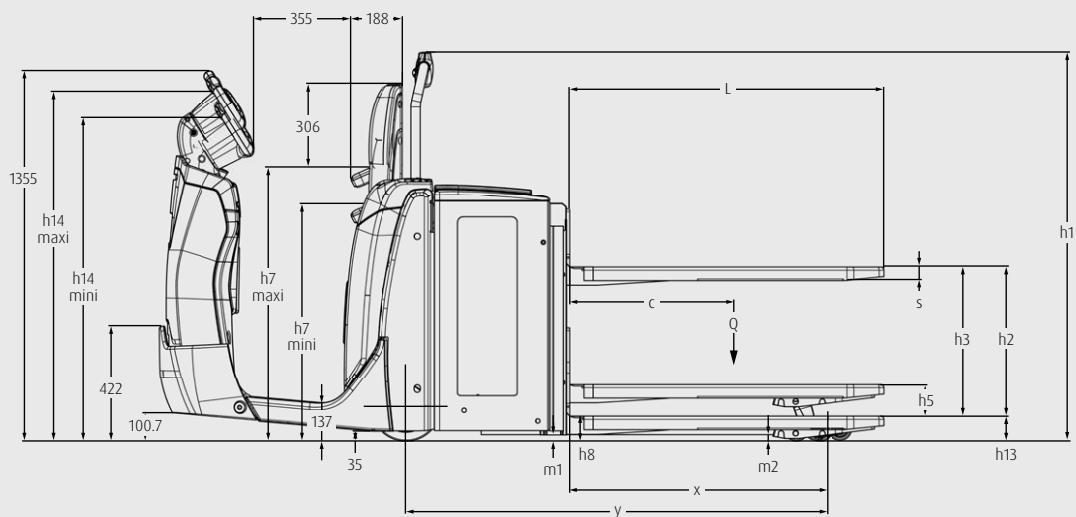
2) Low/high position fork arm

3) Value with a Simplex mast

4) With battery line 6.3 (+ 75 mm for 4 PzS)

5) Figures in (): Truck equipped with tandem load wheels

7) Ast = Wa + R + a, Safety distance a = 200 mm



MAST TABLES

SIMPLEX MAST (in mm)

Lift	h3: 550	
Height measurements	h1: 810 h3: 550 h5: 115	h2: 550 h4: 810
Model		
N16 Li	○	

○ Optional equipment – Not available

h1: Height of mast, lowered

h2: Free lift

h3: Lift

h4: Height of mast, extended

h5: Initial lift



STANDARD AND OPTIONAL EQUIPMENT

Model/Equipment		N16 Li
Safety	Front casted steel bumper	●
	Front rubber protection (mounted on the casted steel bumper)	○
	Linde BlueSpot™	○
	Automatic speed reduction when cornering	●
	Front feet protection	○
	Mast stop landing (200 mm)	●
	Key switch	●
	Log in PIN code	○
Service	CAN bus technology	●
Digitalisation	Linde connect	○
	ac: access control PIN	○
	ac: access control RFID	○
	Data transfer Wifi	○
	Data transfer Online	○
	dt: crash detection	○
	an: usage analysis	○
	Bluetooth USB Stick	○
	dt: trouble codes	○
Operation / Load Handling	Inching control (forward only or forward/backward)	○
	Rear initial and mast lift control	●
	Low Speed if initial lift low	●
	Initial lift electrical stop sensor	●
	Soft landing on forks	○
	Mast pressure sensor	●
	Load backrest 1290 mm	○
	Automatic fork lifting (up and down or up only)	○
Environment	Side lift control buttons (up and down, located on both sides of the chassis)	○
Environment	Cold store -35°C (in/out)	○
Workplace	Fully suspended operator compartment	●
	Height adjustable Linde Steering Wheel	○
	Knee protection	●
	Multifunction coloured display hour meter, maintenance indication, battery discharge indicator and internal fault code indication	●
	Fixed roundly-shaped backrest	●
	Height adjustable backrest incl. foldable seating support	○
	Front bow	○
	Vertical central pole	○
	Support data terminal and power supply cable 24 V	○
	Support clipboard DIN A4 and support for scanner	○
	Shrink wrap pole and rear bin	○
	Rear lower storage	○
Attachment / Forks	Fork carriage: 560 mm	●
	Fork length: 1150 mm	●
	Overhang: 188 mm	●
Axles and Tyres	Drive wheel polyurethane	●
	Drive wheel cushion rubber, non marking and wet grip	○
	Single load wheels polyurethane	●
	Tandem load wheels polyurethane (greasable)	○
	Standard castor wheel	●
Drive and Brake-System	Power assisted steering	●
	3 kW AC motor (maintenance free)	●
	Electromagnetic braking system	●
	Battery compartment, side change 3 PzS (345 Ah/375 Ah), incl. ergonomic lever and metal rollers	●
	Battery compartment, side change 4 PzS (460 Ah/500 Ah), incl. ergonomic lever and metal rollers	○
	Battery compartment, Li-ION battery 4.5 kWh (205 Ah)/9.0 kWh (410 Ah) incl. side plug for opportunity charging	○
	Li-ION 24 V-Charger	○

● Standard equipment ○ Optional equipment – Not available

CHARACTERISTICS



Linde BlueSpot™ and front LED light

Safety

- Three-part brake system adapts flexibly to both the environment and the load weight
- Electromagnetic service brake coupled to deadman switch and emergency button for maximum safety
- Hydraulically assisted brake boosts braking performance as load weight increases
- The vehicle brakes automatically when the drive control is released
- Options such as front LED and Linde BlueSpot™ maximize safety in the warehouse



Intuitive Linde steering wheel

Ergonomics

- Operator's platform with low access for easy boarding and disembarking
- Operator commissions at back-friendly height thanks to the fork lift
- Pedestrian operation for convenient control over short distances
- Height adjustable steering wheel with intuitive controls for easy operation
- Quick training of new drivers through meaningful symbols on the control elements



Autolift

Handling

- 3 kW three-phase AC motor for effective acceleration to a top speed of 12 km/h
- High stability due to four-point contact with the ground
- Initial lift facilitates transport over ramps and uneven surfaces
- Multifunctional display always informs about the current charge status of the order picker
- Optional Autolift automatically lifts and lowers forks, eliminating unnecessary movements
- Depending on application requirements, lead-acid or optionally lithium-ion batteries are available



Front casted steel bumper

Service

- Up to 1000 operating hours without service check
- Maintenance-free three-phase AC technology and adjustment-free brakes reduce service effort
- Service components easily accessible after removal of a service panel
- Essential vehicle parameters can be read out via CAN bus connection via laptop
- Robust cast-steel bumper at the front of the vehicle reduces collision damage

Subject to modification in the interest of progress. Illustrations and technical details could include options and not binding for actual constructions. All dimensions subject to usual tolerances.

Linde Material Handling

Linde

Linde Material Handling | 5 Distillers Place | Huntingwood NSW 2148
Phone 1300 135 463 | www.lindemh.com.au